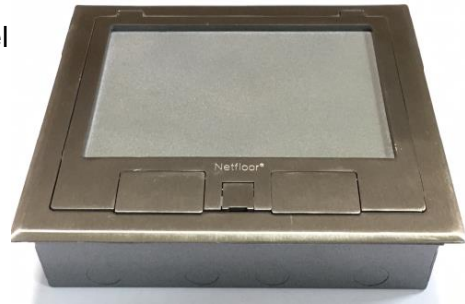


**Service Box SS60BS Access Floor Opening Type**

SS60BS floor box consists of polishing stainless steel mounting lid , frame and box base, 3 compartments.

**The System**

Overall Dimension: 250 mm X 220 mm

Height: 60 mm (access floor minimum finish height)

Mounting lid: polishing stainless steel tray, middle with recess 6.5 mm for topping.

Cable Exiting Flap Dimension: 30 mm X 50 mm

Box Base Tray Dimension: 230 mm X 200 mm

Box Knockouts Dimension for Each Side : 2 X 20 mm (3/4") and 2 X 26 mm (1")

**Compartment Plate**

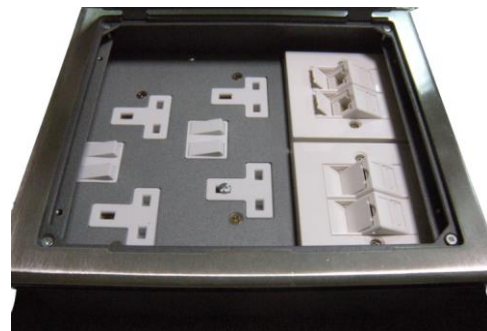
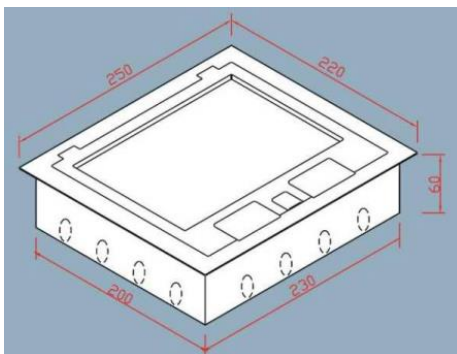
Power Socket:

- a. 1 X twin switched BS power socket plate. 13A, 240 V
- b. 2 X twin switched BS power socket plate. 13A, 240 V

Data Socket:

- a. 2 hole snap-in bracket plate
- b. 6 hole snap-in bracket plate
- c. Twin data 86 steel plate

\*\* Combination style and accessories per requirement



\*\* access panel cut out: 232 mm X 202 mm

\*\* carpet tile cut size for topping floor box: 186 mm X 129 mm

